

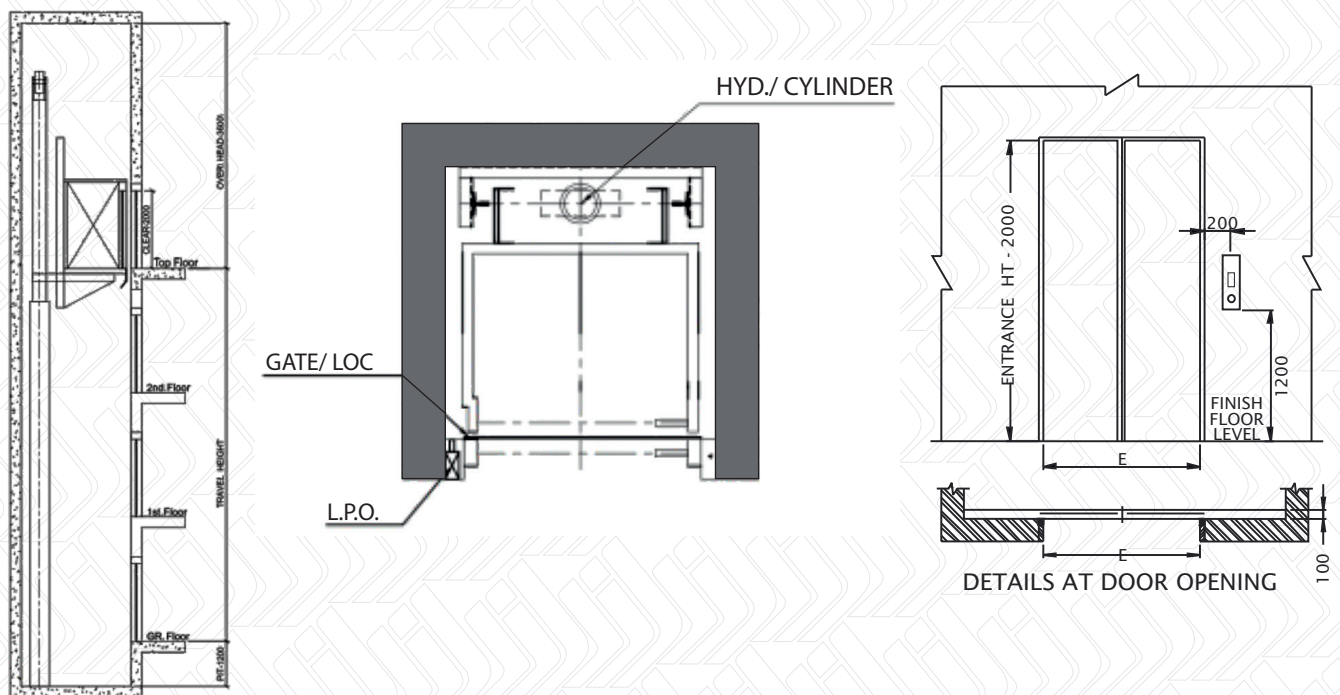
Home Lift / Passenger Elevator (Hydraulic) - Civil Dimensions

Home Lift / Passenger Elevator (Hydraulic) - Automatic Centre Opening / Telescopic Door

NO. OF PERSONS	RATED CAPACITY	SPEED	ENTRANCE WIDTH	CAR SIZE A x B	HOISTWAY DIMENSIONS	PIT	OVERHEAD
	kg	M/s	mm	X x Y mm	X x Y mm	mm	mm
6	408	0.65	700	1100 x 1000	1700 x 1420	1300	4000
		>0.65 <1	-	-	-	1600	4800
8	544	0.65	800	1100 x 1300	1750 x 1720	1300	4000
		>0.65 <1	-	-	-	1600	4800
10	680	0.65	800	1300 x 1350	1950 x 1800	1600	4000
		>0.65 <1.75	-	-	-	1800	4800
13	884	0.65	900	1300 x 1700	1950 x 2150	1600	4000
		>0.65 <1.75	-	-	-	1800	4800
16	1088	0.65	1000	1500 x 1750	2150 x 2200	1600	4000
		>1 <1.75	-	-	-	1800	4800
20	1360	0.65	1000	1500 x 2000	2200 x 2450	1600	4000
		>1 <1.75	-	-	-	1800	4800

- The above dimensions are based on the Auto Door-Centre/Telescopic Door
- For opposite side opening +630 mm in share size MA x MB
- We reserve the right to technical changes and improvements, without any prior intimation

Home Lift / Passenger Elevator (Hydraulic) Layout - Civil Dimensions



* The above drawings are for illustration purpose only. Actual drawing may vary.